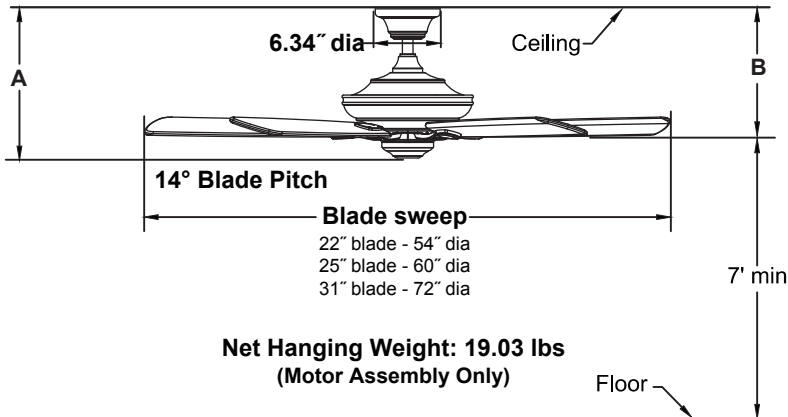


D1** Ceiling Fan



| | A | B |
|--------------------|--------|--------|
| Fan w/4.5" downrod | 14.20" | 12.78" |
| Fan w/12" downrod | 21.70" | 20.28" |
| Fan w/18" downrod | 27.70" | 26.28" |
| Fan w/24" downrod | 33.70" | 32.28" |
| Fan w/36" downrod | 45.70" | 44.28" |
| Fan w/48" downrod | 57.70" | 56.28" |
| Fan w/60" downrod | 69.70" | 68.28" |
| Fan w/72" downrod | 81.70" | 80.28" |

| Available Finish | |
|------------------|----------------|
| BN | Brushed Nickel |
| DZ | Dark Bronze |
| MW | Matte White |

INSTALLATION REQUIREMENTS:

Fan must be attached to a securely anchored electrical junction box capable of withstanding a load of at least 35 lbs.

ELECTRICAL REQUIREMENTS:

Requires a grounded electrical supply line of 120 volts AC, 60 Hz, 15 amp circuit.

MOTOR SPECS:

DC158 x 22 motor is designed for optimal performance with this fan.

| Airflow / Energy Efficiency Info (120V) | | | | | |
|---|---------|------|-------------|------|-------|
| Fan Speed | Max RPM | CFM | CFM / Watts | Amps | Watts |
| High | 101 | 7680 | 249 | 0.39 | 31 |
| Med | 73 | 5648 | 504 | 0.16 | 11 |
| Low | 49 | 3832 | 1036 | 0.07 | 4 |

BLADES:

5 bladed blade sets are available in buttonwood and plywood materials. Optional B1, B2, B3, B4, B5, B6, B7 and B8 blades—all sold separately. See our catalog or visit www.fanimation.com for blade options.

LIGHTING OPTIONS:

The Light kit option F1, F2, F3 and F4—all sold separately. The Glasses option G1, G2, G3, G4, G5 and G6—all sold separately. See our catalog or visit www.fanimation.com for light kit and glasses options.

CONTROL OPTIONS:

TR205 hand-held remote control is included. Push button remote control with variable fan speeds, fresh air, reverse, infinite light levels, fan/light timer, home away, safe exit and off button. Optional TW206 wall control is available—sold separately. Instructions are provided with each control.

DOWNROD OPTIONS:

Fan comes with 1" dia. x 4.5" long downrod (DR1-45). Optional downrods available in 12", 18", 24", 36", 48", 60" and 72" lengths. A downrod coupler is available for installations requiring a downrod longer than 72". Fan can be mounted on a sloped ceiling up to 19°. Most sloped ceiling installations require a downrod longer than the standard 4.5" downrod. Optional sloped hanger ball (APG245BL) is available for slope angles greater than 19° and up to 32°—included. Optional close-to-ceiling kit is available as well—included. Call technical support for more information.

LOCATION USE:

Fan is rated for dry and damp locations.