

# ASSEMBLY AND INSTALLATION INSTRUCTIONS

PD5027

**WARNING:** TO AVOID RISK OF ELECTRICAL SHOCK, BE SURE TO SHUT OFF POWER WHILE INSTALLING OR SERVICING THIS FIXTURE.

**NOTE:** Before installing consult local electrical codes for wiring and grounding requirements.

## Installation Steps

1. Unscrew the set screws from the plate, and attach the canopy and the back plate to the ceiling:
  - a. If the ceiling material is concrete:
 

Aim the middle hole of the back plate at the center of the ceiling box. Mark the 2 setting holes of the back plate on the ceiling, drill these 2 marks, and then thread the wall anchors into the 2 holes of the ceiling. Thread the wires of the power source through the canopy and the back plate. Attach the canopy and the back plate to the ceiling by threading the dry wall screws through the setting holes of the back plate into the wall anchors.

- b. If the ceiling material is wooden:
 

Thread the wires of the power source through the canopy and the back plate. Attach the canopy and the back plate to the ceiling by threading the dry wall screws through the setting holes of the back plate into the ceiling.

- c. If the ceiling material is sheetrock:
 

Thread the wires of the power source through the canopy and the back plate. Attach the canopy and the back plate to the ceiling by threading the small steel nails (not supplied) through the setting holes of the back plate into the ceiling.

2. Take the proper numbers of the tubes to install the **height of the fixture to be 16-5/8", 26-1/8" or 35-5/8"** as needed. (Three tubes for each lamp holder are provided.)

Tube connections:

- a. Thread the fixture wire from the socket through the down tube(w/o nipple), and secure the down tube to the cap.
  - b. Thread the fixture wire from the assembled tube through the middle tube(w/ nipple) and secure the middle tube with the nipple.
  - c. Thread the fixture wire through the upper tube(w/ nipple), and then secure the upper tube with the nipple.
  - d. Thread the fixture wire through the set nipple of the plate, and secure the upper tube to the plate.
  - e. Complete the same steps for the other sockets and tubes.

3. Make wire connections with wire nuts:

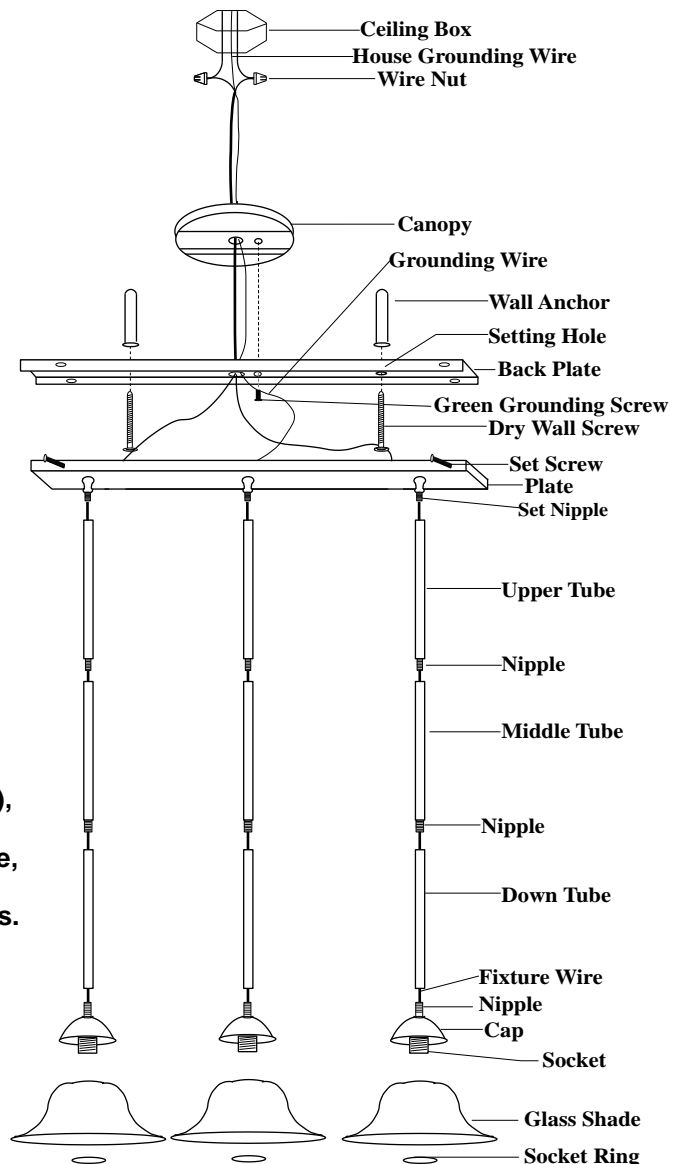
- All black wires from tubes to the black wire from power source.
- All white wires from tubes to the white wire from power source.
- Attach the grounding wire and house grounding wire to the back plate with a green grounding screw. Carefully tuck wires into the ceiling box.

4. Attach the plate to the back plate, and secure with the set screws.

5. Attach the glass shades to the lamp holders, and secure with the socket rings.

6. Install bulbs. (Please do not exceed the maximum capacity, which is recommended on the package.)

7. Turn on the power at fuse or circuit box.



X-ROD9OBB - rods

**VAXCEL**  
LIGHTING