

C73703BK

INSTALLATION INSTRUCTIONS SHEET

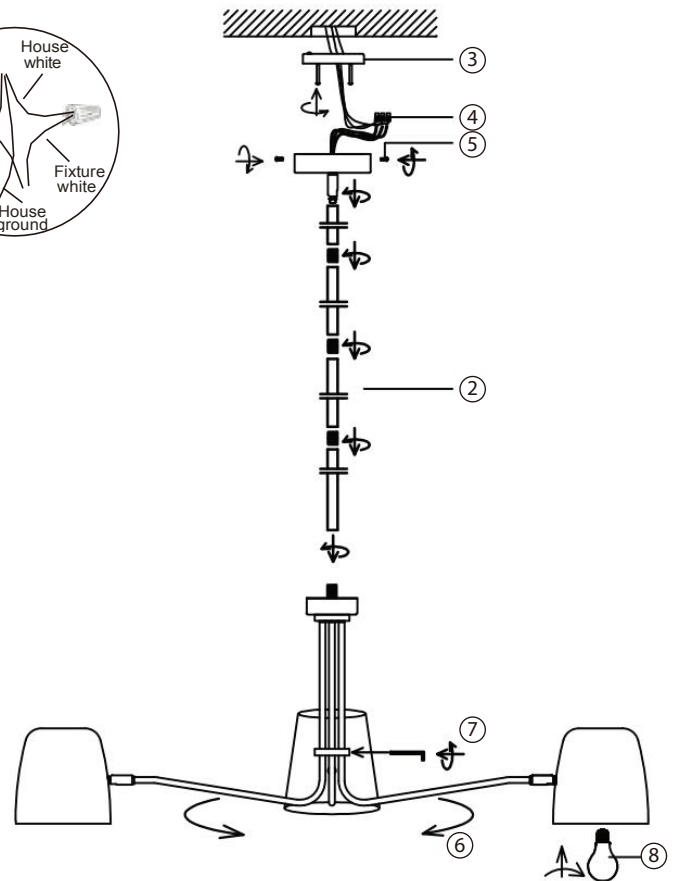
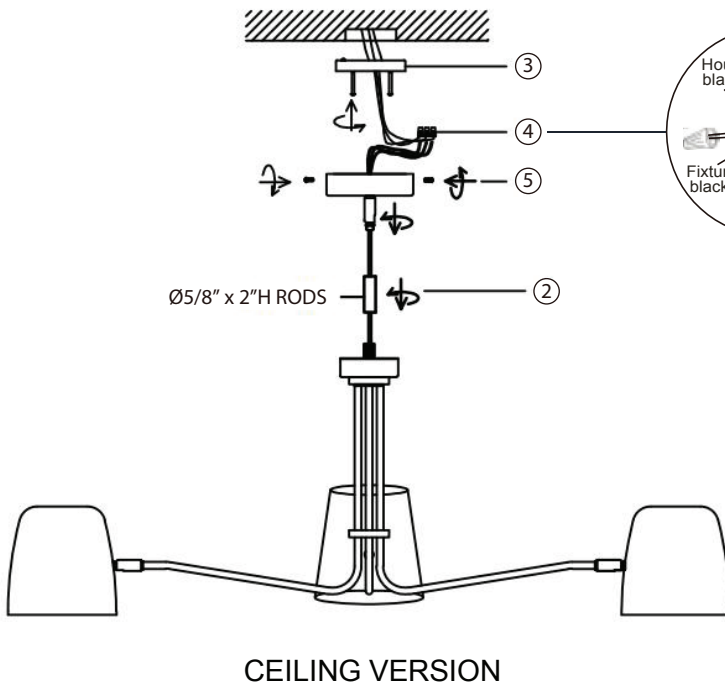
START FROM HERE

- Make sure power is completely off at the fuse box.
- Have your fixture installed by a qualified licensed electrician
- Prepare everything in clear area.
- Wear gloves at all times during this installation.
- Read instructions carefully before you start assembly.
- Keep this instruction sheet for future reference.

Please Note:

- All Matteo Lighting fixtures come with pre-wired module(s).
- Unless instructed to do so, please do not touch any part of the module(s) as any unnecessary contact with the module could cause permanent damage.

THIS LUMINAIRE MUST BE MOUNTED OR SUPPORTED IN A JUNCTION BOX
*CE LUMINAIRE DOIT ÊTRE MONTÉ OU SUPPORTÉ DANS UNE BOÎTE
DE JONCTION*



- 1 Ensure main supply is switched off.
- 2 Connect all rods (2) together.
- 3 Fit mounting bracket onto mounting surface with self-tapping screws (3).
- 4 Connect wires (4) according to color (White to White, Black to Black). Connect all earth plug together onto the crossbar with green, screw to tight.
- 5 Fit ceiling plate onto mounting bracket with screws (5).
- 6 Unfold the lamp body (6) evenly.
- 7 Use tool to fix the tube (7).
- 8 Install the bulbs (8) (not included) firmly into lampholders.
- 9 Reconnect power.

