



Assembly & Installation Instructions

CAUTION: Read instructions carefully and turn electricity off at main circuit breaker panel before beginning installation.

8760, 8769, 8770

WARNING - If any Special Control Devices are used with this Fixture, Follow the Instructions Carefully to assure full compliance with N.E.C. requirements. If there are any questions, contact a Qualified Electrical Contractor.

WARNING - This product contains chemicals known to the State of California to cause cancer, birth defects and /or other reproductive harm. Thoroughly wash hands after installing, handling, cleaning, or otherwise touching this product.

IMPORTANT SAFETY INSTRUCTIONS SAVE THESE INSTRUCTIONS

REFER TO THEM WHEN ADDTIONS TO OR CHANGES IN THE TRACK CONFIGURATION ARE MADE

- 1 - This TRACK ACCESSORY is to be used with PROGRESS TRACK 1 TRACK only.
- 2 - DO NOT attempt to power this TRACK ACCESSORY with any form of power supply cord from a wall receptacle, or to attach any form of convenience receptacle to this TRACK.
- 3 - This TRACK ACCESSORY is to be supplied by a single branch circuit such as a 120 volt circuit with a grounded neutral.
- 4 - Use of this TRACK SYSTEM with dimmers, timing controls. energy saving devices. special security switching, or could create a safety hazard. Obtain professional advice before using this TRACK SYSTEM with other devices.

IMPORTANT SAFETY INSTRUCTIONS

WHEN INSTALLING OR USING THIS TRACK SYSTEM, BASIC SAFETY PRECAUTIONS SHOULD ALWAYS BE FOLLOWED INCLUDING:

- 1 - Read all instructions and TURN OFF ELECTRICITY at MAIN FUSE BOX. before installing adding to, or changing the configuration of the TRACK. Also disconnect electrical power at the fuse or circuit breaker, before servicing or relamping.
- 2 - DO NOT install this TRACK ACCESSORY in a damp or wet location, or less than five(5) feet above the floor. TRACK MUST be installed in a location and a manner consistent with its intended use and in compliance with the NATIONAL ELECTRICAL CODE and with other, local ELECTRICAL CODES. TRACK must be GROUNDED to avoid potential hazards. Polarity must be maintained throughout the installation.
- 3 - DO NOT use this TRACK ACCESSORY for other than its intended use. DO NOT attempt to energize anything other than PROGRESS TRACK 1 TRACK from this TRACK ACCESSORY. To reduce the risk of fire and electric shock, DO NOT attempt to connect power tools, extension cords. appliances, and the like to this TRACK ACCESSORY.
- 4 - DO NOT install any TRACK LIGHTING FIXTURE ASSEMBLY or ACCESSORY closer than six (6) inches from any curtain or similar combustible material.
- 5 - All servicing, MUST be performed by qualified service personnel.

SAVE THESE INSTRUCTIONS

TRACK 1 SYSTEMS "T" BAR END FEED

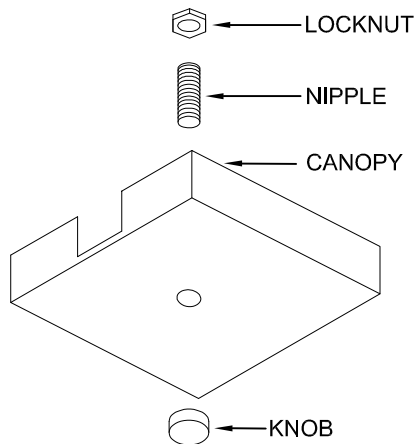
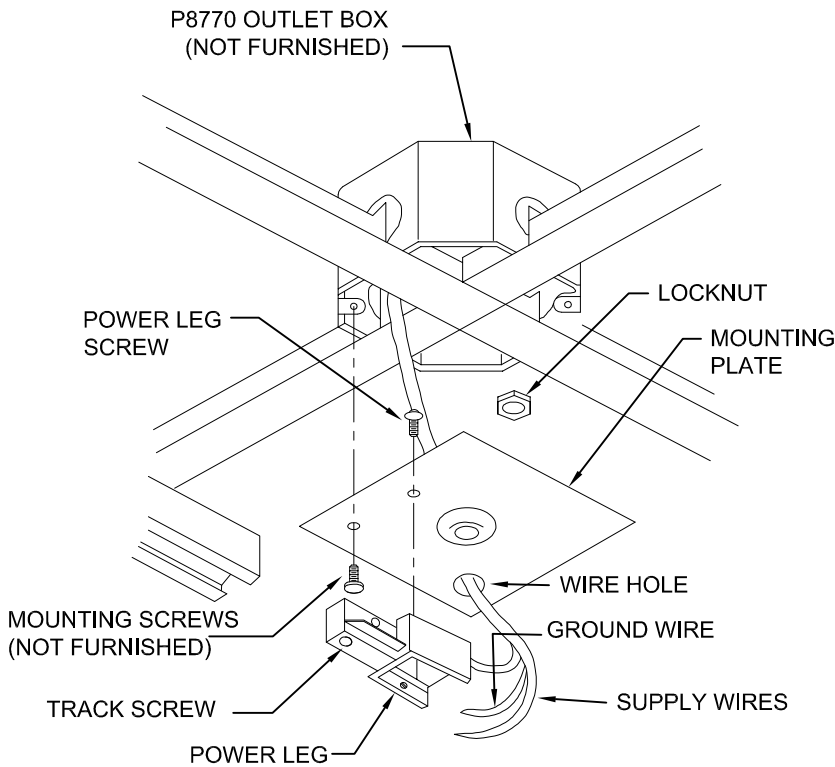


FIGURE 1

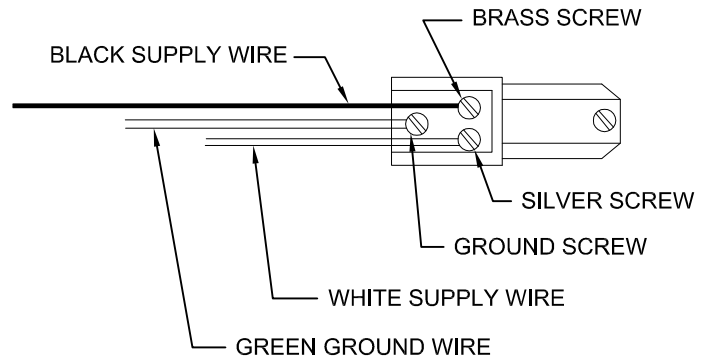


FIGURE 2

1 - Attach NIPPLE to MOUNTING PALTE with (2) LOCKNUTS.

NOTE: Instructions 2 through 7 (Figures 1 & 2) are for installation of single POWEER LEG only. To install two or more POWER LEGS (in an "L", "T" OR "+" configurgation), see Instrucitons B through 14 (Figures 3 & 4), on page 3.

2 - Attach POWER LEG to MOUNTING PLATE with one POWER LEG SCREW.

3 - Slip SUPPLY WIRES down through WIRE HOLE in MOUNTING PLATE and attach PLATE to OUTLET BOX with MOUNTING SCREWS supplied with OUTLET BOX.

4 - Connect GROUND WIRE to GROUND SCREW (See Figure 2).

5 - Connect WHITE SUPPLY WIRE to POWER LEG terminal with SILVER SCREW. Connect BLACK SUPPLY WIRE to terminal with BRASS SCREW. Tighten SCREWS securely (See Figure 2).

6 - Slip CANOPY up over NIPPLE and secure with KNOB.

7 - Slip TRACK (not furnished) over POWER LEG and secure with TRACK SCREW.

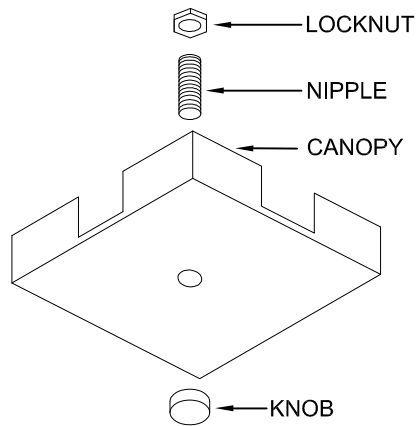
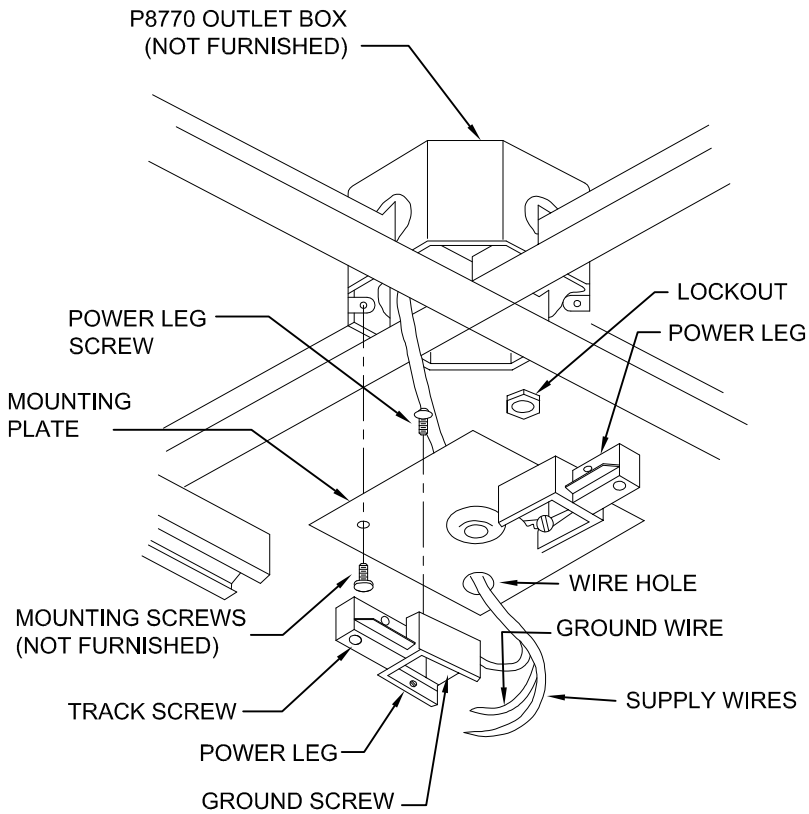


FIGURE 3

SUPPLEMENTARY POWER LEGS

- 8 - Attach POWER LEGS to MOUNTING PLATE with one POWER LEG SCREW for each POWER LEG.
- 9 - Use WHITE JUMPER WIRE(S) to interconnect POWER LEG terminals with SILVER SCREWS. Use BLACK JUMPER WIRE(S) to interconnect terminals with BRASS SCREWS. Use GREEN JUMPER WIRE to interconnect GROUND SCREWS (See Figure 4).
- 10 - Slip SUPPLY WIRES down through WIRE HOLE in MOUNTING PLATE and attach PLATE to OUTLET BOX with MOUNTING SCREWS SUPPLIED with OUTLET BOX.
- 11 - Connect GROUND WIRE to GROUND SCREW on one POWER LEG. Connect WHITE SUPPLY WIRE to terminal (on same POWER LEG) with SILVER SCREW. Connect BLACK SUPPLY WIRE to terminal (on same POWER LEG) with BRASS SCREW (see figure 4).
- 12 - CANOPY is furnished with one open side. To open other side(s), grasp center portion of CANOPY side with pliers, and twist out.
- 13 - Slip CANOPY up over NIPPLE and secure with KNOB.
- 14 - Slip TRACK sections over POWER LEGS and secure with TRACK SCREWS.

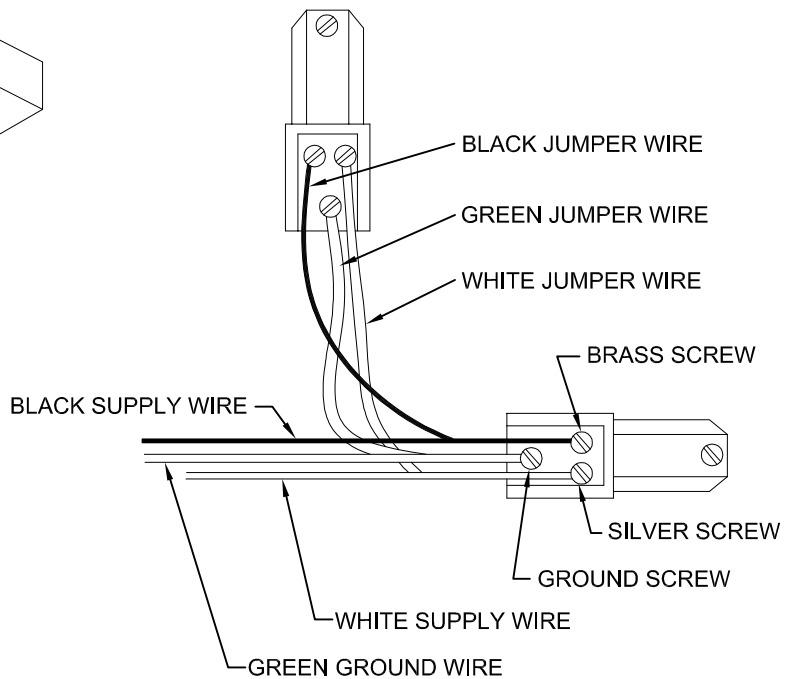


FIGURE 4

Instrucciones de ensamblaje e instalación

Precaución: Lea cuidadosamente las instrucciones y desconecte la electricidad del cortacircuitos principal antes de iniciar la instalación.

ADVERTENCIA - SI CON ESTE APLIQUE SE USAN DISPOSITIVOS DE CONTROL ESPECIALES, DEBE SEGUIR LAS INSTRUCCIONES DETALLADAMENTE PARA GARANTIZAR EL CUMPLIMIENTO Estricto CON EL CODIGO NACIONAL DE ELECTRICIDAD (N.E.C.) SI TIEN PREGUNTAS, COMUNIQUESE CON UN ELECTRICISTA CALIFICADO.

ADVERTENCIA - Este producto contiene sustancias químicas que según el Estado de California causa cáncer, defectos de nacimiento y (o) daño al sistema reproductor. Lavarse bien las manos después de instalar, manipular, limpiar o tocar de manera alguna este producto.

Instructions d'Assemblage et Installation

Mise en garde: Lire les instructions avec soin et couper le courant au disjoncteur central avant de commencer l'installation.

AVERTISSEMENT - SIDES DISPOSITIFS DE CONTROLE SPECIAUX SONT UTILISES EN CONJONCTION AVEC CE LUMINAIRE, SUIVRE SCRUPULEUSEMENT CES INSTRUCTIONS POUR ASSURER LA CONFORMITE N.E.C. POUR TOUTE ASSISTANCE SUPPLEMENTAIRE, DEMANDER CONSEIL AUPRES D'UN ELECTRICIEN QUALIFIE.

AVERTISSEMENT - Ce produit contient des composants chimiques qui selon L'état de Californie provoquent un cancer, des infirmités de naissance et (ou) du mal au système reproductif. Il faut laver les mains soigneusement après avoir installé, manipulé, nettoyé, ou autrement touché ce produit.
